

SPINNER

TC800

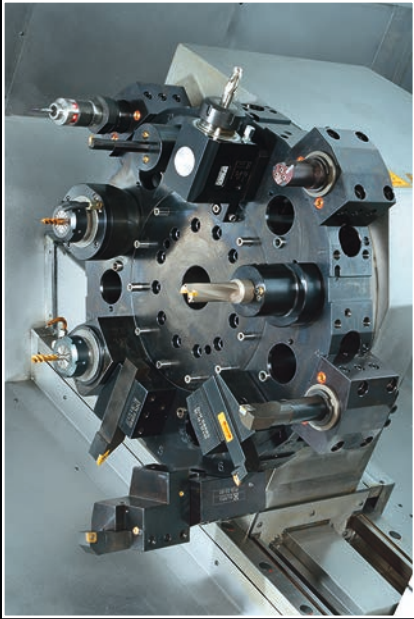
Precise Universal Lathe



Mechanical Engineering
Made in Europe

www.spinner.eu.com
sales@spinner.eu.com

Machine Highlights



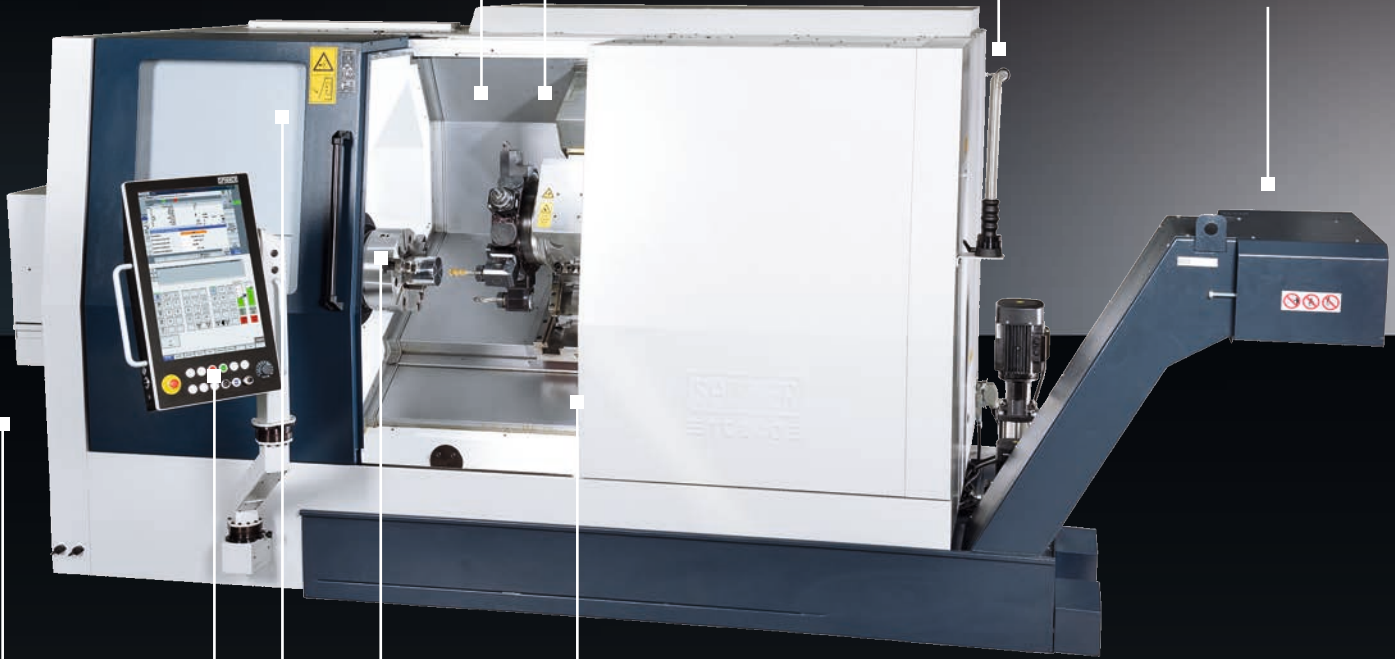
Turret VDI50 of TC800-MC

Available with or without driven tools and Y axis

Ideal for Hard Turning and Heavy-Duty Cutting

Toolsetter and tailstock as standard

Chip conveyor as standard



Real slant bed design for optimised chip fall

Small distance between operator and chuck

Large panoramic window to the working area

Latest control system:
Siemens 840D-SL, Fanuc 32iT

Machining of bars

Rigid
Stiff
Durable
Precise
Universal

Servo turret with
toolholder
VDI50/VDI40/BMT65

Up to 16 driven tools

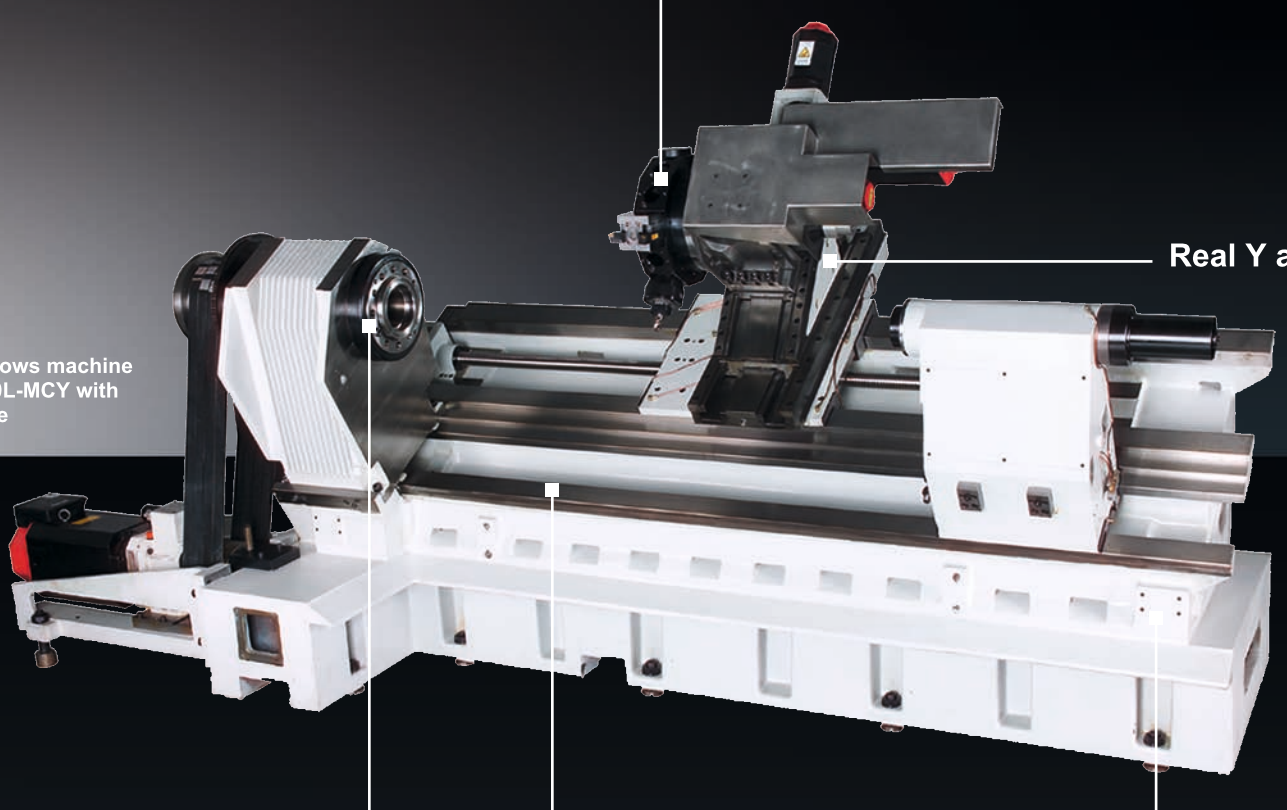
Real Y axis

Picture shows machine
TC800-110L-MCY with
beltspindle

Rigid machine
base as a one-
piece casting

Dynamic motorspindle
with 85 mm bore or
powerful beltspindle with
gear and 110 mm
bore for high torque

Hardened and ground sliding
guideways for best vibration
damping



Working area	TC800-85	TC800-110 / TC800-110L
Swing diameter	~800 mm (~31.5")	
Max. turning diameter	~500 mm (~19.7")	
Max. turning length	900 mm (35.4")	900 mm / 1,580 mm (L) (35.4" / 62.2" (L))
X-axis	~360 mm (~14.2")	
Y-axis (option)	+65 / -55 mm (+2.6" / -2.2")	
Z-axis	900 mm (35.4")	900 mm / 1,580 mm (L) (35.4" / 62.2" (L))
Axes		
Rapide traverse X / Z	15 / 24 m/min (590.6 IPM / 944.9 IPM)	
Spindle 1		
Max. spindle speed	3,400 rpm	2,600 rpm
Spindle nose	A8/DIN	A11/DIN
Chuck diameter	250 mm (9.8") (option 315 mm (12.4"))	315 mm (12.4") (option 400/500 mm (15.7"/19.7"))
Spindle bore	85 mm	110 mm
Performance P _{max}	67 kW	63 kW
Torque M _{max}	930 Nm	Gear range 1: 2250 Nm Gear range 2: 562 Nm
Spindle 2		
Max. spindle speed	5,000 rpm	
Spindle nose	A6/DIN	
Chuck diameter	210 mm (8.3")	
Performance P _{max}	23,5 kW	
Torque M _{max}	150 Nm	
Turret		
Number of tool stations	12xVDI50 / (option 16xVDI40/12xBMT65)	
Number of driven tools (option)	12 (8/12)	
Toolholder	VDI50 (option VDI40 / BMT65)	
Max. speed of driven tools	4,000 rpm	
Performance P _{max}	8 kW	
Torque M _{max}	36 Nm	
General indications		
Dimensions (L x W x H)	1)	
Weight 2)	~7,000 - 7,500 kg 3) (~15,432.4 - 16,534.7 lbs 3))	~7,000-7,500 kg / ~8,000-8,500 kg 3) (~15,432.4 - 16,534.7 lbs / ~17,636.9 - 18,739.3 lbs 3))

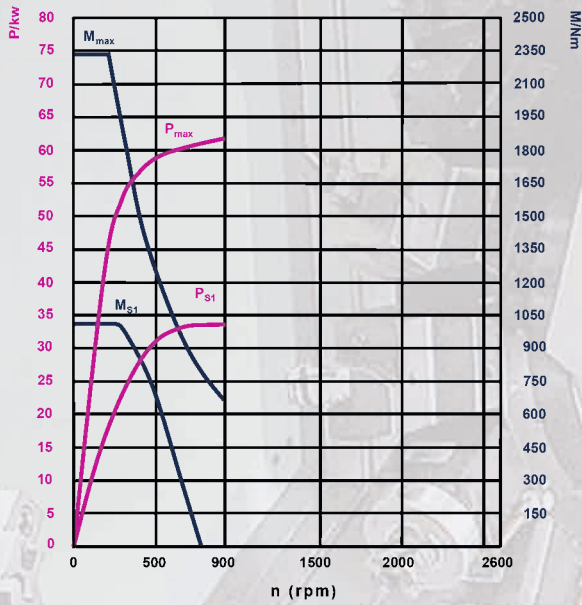
1) See floorplan

2) Machine net weight SMCY

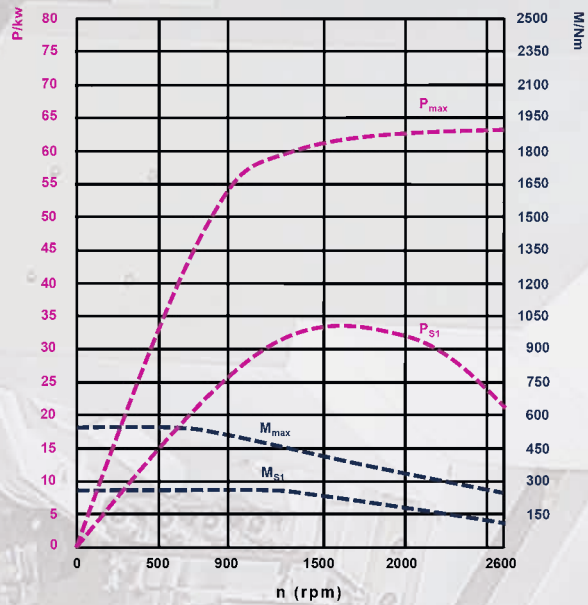
3) According to the equipment

Main spindle TC800-110 2,600 rpm; gear range 1 and 2

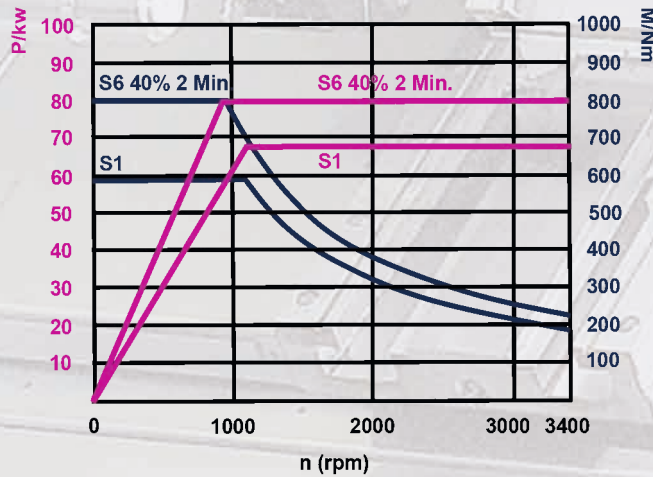
Gear range 1



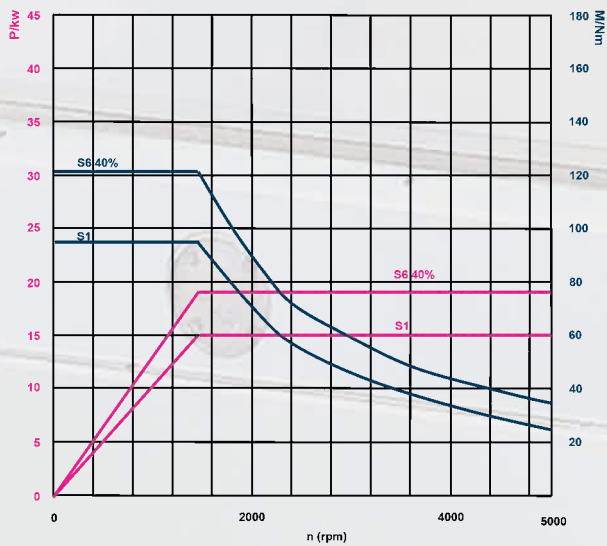
Gear range 2



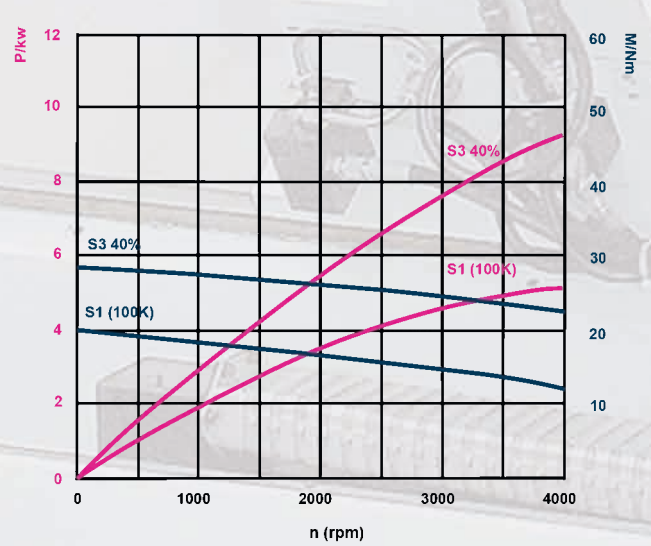
Main spindle TC800-85 3,400 rpm



Sub spindle 5,000 rpm



Driven tool



CNC clamping force setting on spindle 1 and/or 2

Siemens 840D-SL
Fanuc 32iT

- Turret disc VDI40 16-position (VDI50 as standard)
- Turret disc BMT65 12-position

- Toolholder package VDI50

- Component measurement by touch probe in turret

Steady rest

Suction unit for coolant mist
Fire extinguishing system

External
tool measurement

Clamping system for
the workpiece

High pressure coolant pump
15/50 bar for tools with internal
coolant supply

Bar feeder

Part catcher *

Automatic door

Glass scale
X-axis / Z-axis

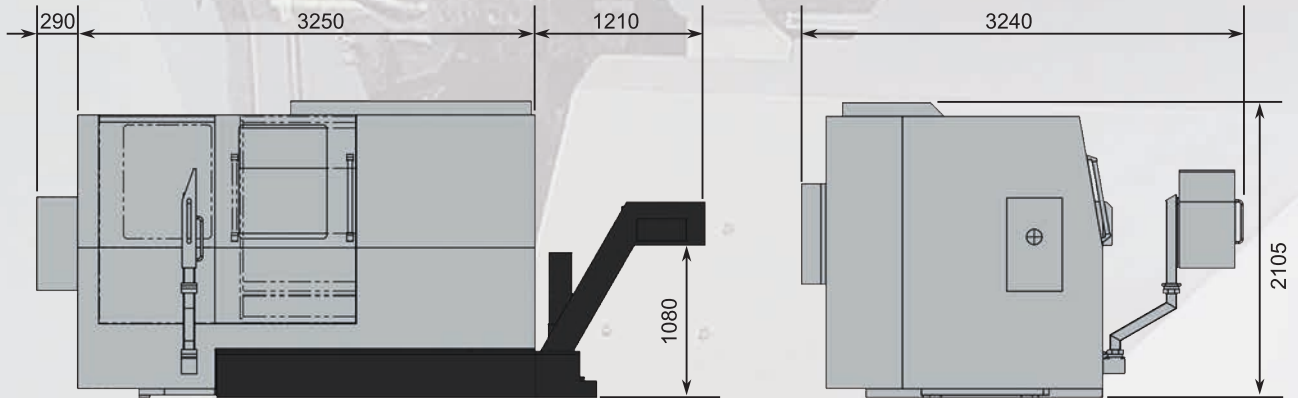
Coolant pistol in
the working area



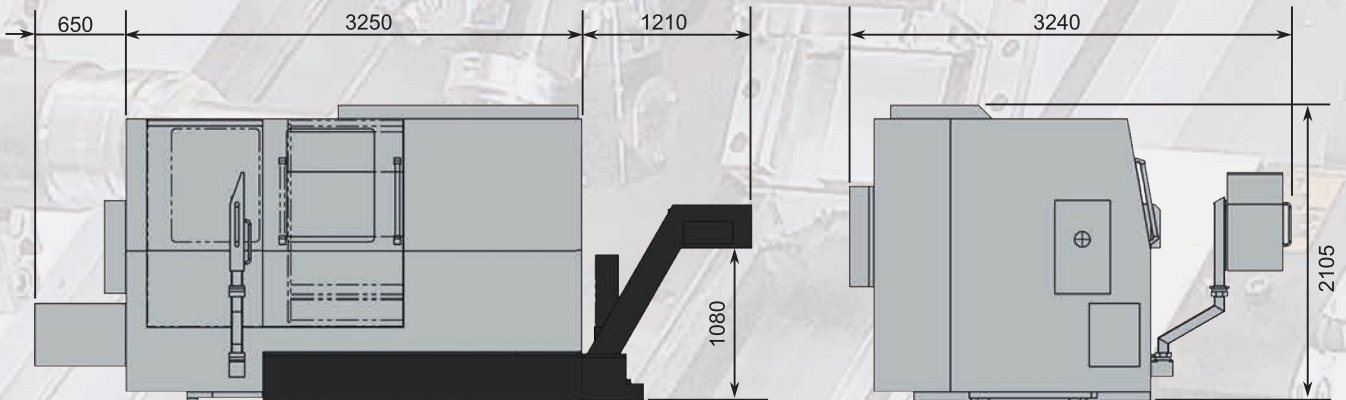
* Part catcher can not be combined with panoramic window

Other options on demand

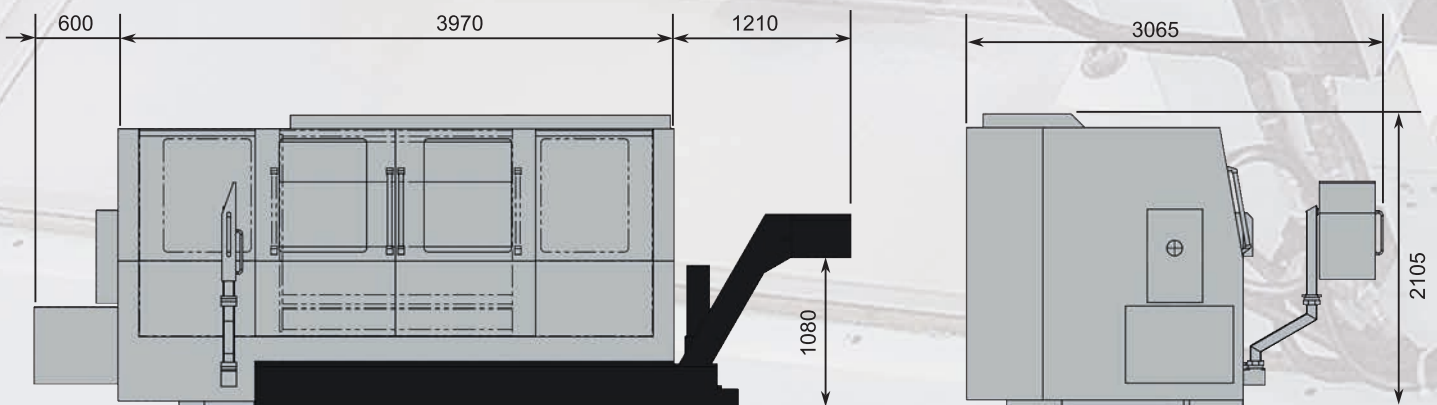
TC800-85



TC800-110



TC800-110L



■ Version with standard chip conveyor



Werkzeugmaschinenfabrik GmbH



www.spinner.eu.com

Spinner Machine-Tools are working successfully world wide with many well known clients in more than 60 countries on 6 continents. We have been fortunate enough to attract small component suppliers in addition to well known global groups in all metal machining industries.

We have designed and produced the most modern machine-tools since 1950. More than 20.000 delivered machines demonstrate their high efficiency, precision and reliability, everyday.

Although Spinner is a medium-sized enterprise we produce and sell more than 1.000 CNC machines a year. And the number is increasing every year. Our company combines the know-how of a global player with the flexibility and cost-effective structures of a family owned business.

Place your trust in our products as well and let us know what we can do for you.



Video

SPINNER Werkzeugmaschinenfabrik GmbH

Rudolf-Diesel-Ring 24

82054 Sauerlach

Tel. +49 (0) 8104 803-0

Fax +49 (0) 8104 803-19

sales@spinner.eu.com



Version 11.4.2024

Technical changes of specifications and pictures are subject to change without notice - Pictures can include options, accessories